



ESSENTIAL SERIES

Essential fog cannons, for a good union between performance and price

CHARACTERISTICS AND PERFORMANCES	MF-15 recommended for 15sqm H3 - Zero Visibility	MF-25 recommended for 25sqm H3 - Zero Visibility	MF-50 recommended for 50sqm H3 - Zero Visibility
Coverage with a single shot (visibility less than 1 mt)	100 m3	200 m3	415 m3
Coverage with a single shot (visibility less than 1,5 mt)	300 m3	600 m3	1245 m3
Fog shooting time	Adjustable from 1 to 15 sec.	Adjustable from 1 to 30 sec.	Adjustable from 1 to 60 sec.
Forced break time between one shot and the next one	When active: 5 min.	When active: 5 min.	When active: 5 min.
Total time of possible dispensing	150" (with full tank)	210" (with full tank)	300" (with full tank)
Warm-up time from cold status	8 min.	10 - 15 min.	15 - 25 min.
Tank capacity	0,25 Lt (Refillable)	0,5 Lt (Refillable)	0,5 Lt (Refillable)
Response time	5 Ms	5 Ms	5 Ms
Burner power supply	220 Volts (110 Volts available upon request)	220 Volts (110 Volts available upon request)	220 Volts (110 Volts available upon request)
Electronic part power supply	13,8 Volts	13,8 Volts	13,8 Volts
Rated power absorbed when starting	500 Watts only for the first 8 min.	500 Watts only for the first 10/15 min.	600 Watts only for the first 15/25 min.
Power absorbed in stand-by	12V 5mA	12V 5mA	12V 5mA
Power absorbed during the shot	12V 4Watts	12V 4Watts	12V 4Watts
Average hourly energy consumption	40w/h only when "Armed"	40w/h only when "Armed"	40w/h only when "Armed"
Autonomous 13.8V power supply stage (it can be integrated inside)	Yes, optional "Power100"	Yes, optional "Power200"	Yes, optional "Power200"
Integrable backup battery	Yes, optional "Power100"	Yes, optional "Power200"	Yes, optional "Power200"
Autonomy of the burner in absence of electricity	1 complete shot within 1 hour	1 complete shot within 1 hour	1 complete shot within 1 hour
Failure reporting system	Yes (visual) + 5 wired outputs	Yes (visual) + 5 wired outputs	Yes (visual) + 5 wired outputs
N.O./N.C.Input	Nr 1 for Heating activation Nr 1 for Shot activation	Nr 1 for Heating activation Nr 1 for Shot activation	Nr 1 for Heating activation Nr 1 for Shot activation
N.O. Output	Nr.5 Battery Status- Fault - Liquid lev.- Heating - Armed on/off on/off	Nr.5 Battery Status- Fault - Liquid lev.- Heating - Armed on/off on/off	Nr.5 Battery Status- Fault - Liquid lev.- Heating - Armed on/off on/off
Directional nozzles for fog orientation	1x90° as standard and Rotatable (adjusted at 45° downwards)	2 models: 1x45° as standard and Rotatable 1x0° optional	8 nozzles for fog orientation: 1x0° 1x45° 1x90° 2x45° 3x0° 3x45° 2x0° 2x0°/45°
Nozzle extensions	None	Front and Back from 200mm to 500mm (U200P - U500P)	Front and Back from 200mm to 500mm (U200P - U500P)
Installation methods	Wall	Wall - Floor (Horiz/Vert.) Ceiling with optional SP2	Wall - Floor (Horizontal) Ceiling with optional SP2
Weight	2,2 Kg	8 Kg with full tank	10 Kg with full tank
Dimensions	L. 210 x H. 210 x W. 85 mm	L. 150 x H. 495 x P. 130 mm	L. 492 x H. 290 x W. 150 mm
Color	White Ral9003	White Ral9003	White Ral9003

ONLY
21 X 21 X 8,5 CM



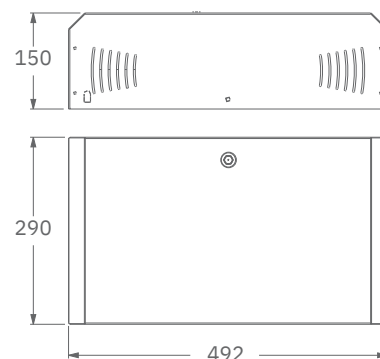
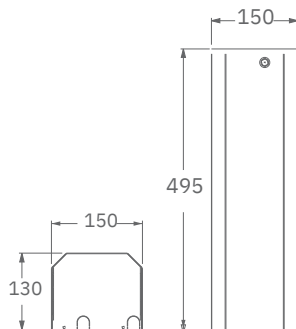
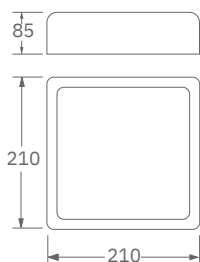
MF-15



MF-25



MF-50





ESSENTIAL SERIES

Essential fog cannons for a good union between performance and price

CHARACTERISTICS AND PERFORMANCES	MF-100 recommended for 100sqm H3 - Zero Visibility	MF-200 recommended for 200sqm H3 - Zero Visibility	MF-400 recommended for 400sqm H3 - Zero Visibility
Coverage with a single shot (visibility less than 1 mt)	800 m3	1600 m3	3200 m3
Coverage with a single shot (visibility less than 1,5 mt)	2400 m3	4800 m3	9600 m3
Fog shooting time	Adjustable from 1 to 100 sec.	Adjustable from 1 to 100 sec.	Adjustable from 1 to 100 sec.
Forced break time between one shot and the next one	When active: 5 min.	When active: 5 min.	When active: 5 min.
Total time of possible dispensing	700" (with full tank)	700" (with full tank)	580" (with full tank)
Warm-up time from cold status	16 min.	16 min.	15 - 25 min.
Tank capacity	1,5 Lt (Refillable)	3 Lt (Refillable)	5 Lt (Refillable)
Response time	5 Ms	5 Ms	5 Ms
Burner power supply	220 Volts (110 Volts available upon request)	220 Volts (110 Volts available upon request)	220 Volt (110 Volts available upon request)
Electronic part power supply	13,8 Volts	13,8 Volts	13,8 Volt
Rated power absorbed when starting	1000 Watts only for the first 16 min.	2000 Watts only for the first 32 min.	4000 Watts only for the first 16 min.
Power absorbed in stand-by	12V 5mA	12V 5mA	12V 5mA
Power absorbed during the shot	12V 4Watts	12V 8Watts	12V 16Watts
Average hourly energy consumption	45w/h only when "Armed"	50w/h only when "Armed"	55w/h only when "Armed"
Autonomous 13.8V power supply stage (it can be integrated inside)	Yes, optional "Power200"	Yes, optional "Power200"	Yes, optional "Power400"
Integrable backup battery	Yes, optional "Power200"	Yes, optional "Power200"	Yes, optional "Power400"
Autonomy of the burner in absence of electricity	1 complete shot within 1 hour	1 complete shot within 1 hour	1 complete shot within 1 hour
Failure reporting system	Yes (visual) + 5 wired outputs	Yes (visual) + 5 wired outputs	Yes (visual) + 5 wired outputs
N.O./N.C.Input	Nr 1 for Heating activation Nr 1 for Shot activation	Nr 1 for Heating activation Nr 1 for Shot activation	Nr 1 for Heating activation Nr 1 for Shot activation
N.O. Output	Nr.5 Battery Status- Fault - Liquid lev.- Heating - Armed on/off on/off	Nr.5 Battery Status- Fault - Liquid lev.- Heating - Armed on/off on/off	Nr.5 Battery Status- Fault - Liquid lev.- Heating - Armed on/off on/off
Directional nozzles for fog orientation	8 nozzles for fog orientation: 1x0° 1x45° 1x90° 2x45° 3x0° 3x45° 2x0° 2x0°/45°	8 nozzles for fog orientation: 1x0° 1x45° 1x90° 2x45° 3x0° 3x45° 2x0° 2x0°/45°	8 nozzles for fog orientation: 1x0° 1x45° 1x90° 2x45° 3x0° 3x45° 2x0° 2x0°/45°
Nozzle extensions	Front and Back from 200mm to 500mm (U200P - U500P)	Front and Back from 200mm to 500mm (U200P - U500P)	Front and Back from 200mm to 500mm (U200P - U500P)
Installation methods	Wall (Horizontal) Ceiling with optional SP2	Wall (Horizontal) Ceiling with optional SP2	Wall - Floor(Horizontal) Ceiling with optional SP2 (4 pcs)
Weight	14 Kg	22 Kg with full tank	36 Kg with full tank
Dimensions	L. 554 x H. 310 x W. 150 mm	L. 460 x H. 460 x W. 205 mm	L. 580 x H. 580 x W. 205 mm
Color	White Ral9003	White Ral9003	White Ral9003

LAN VERSION
AVAILABLE
EX-400.L



MF-100



MF-200



MF-400

